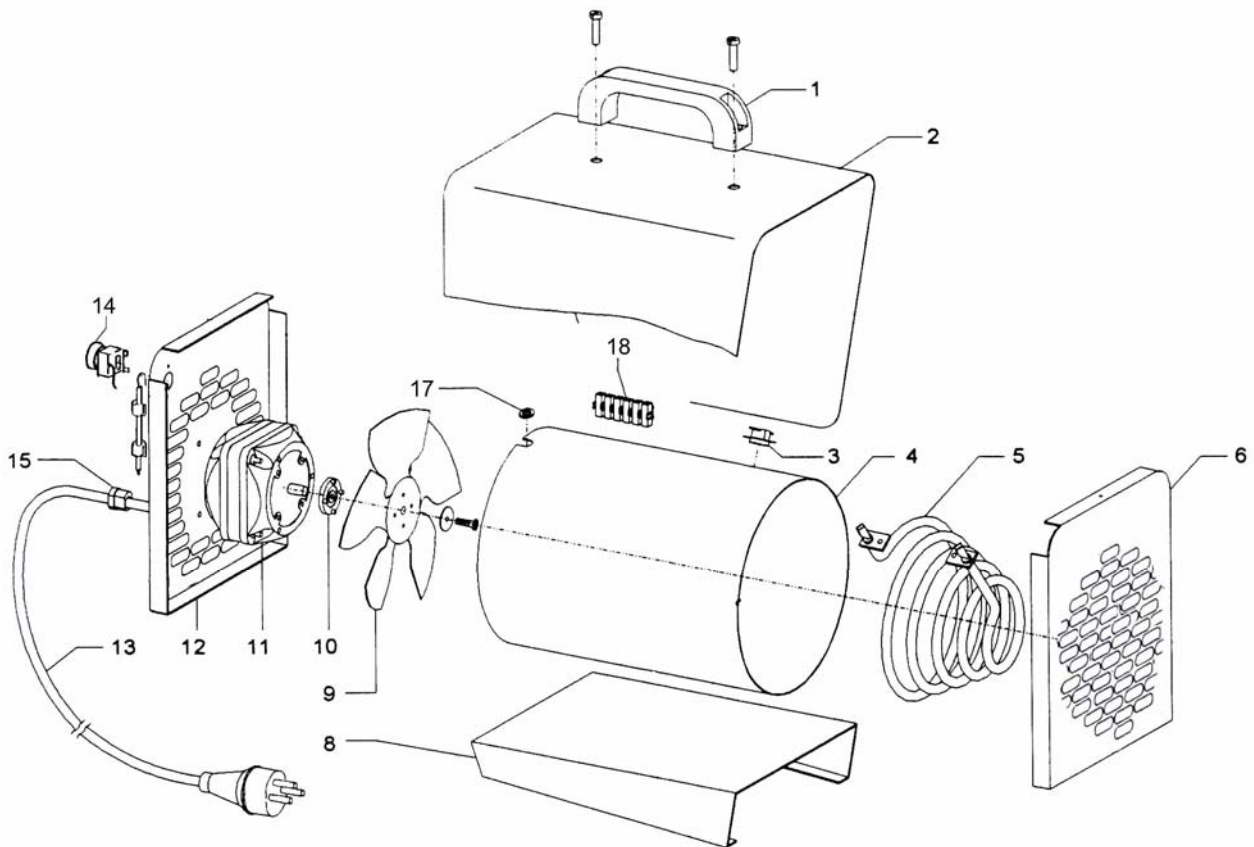
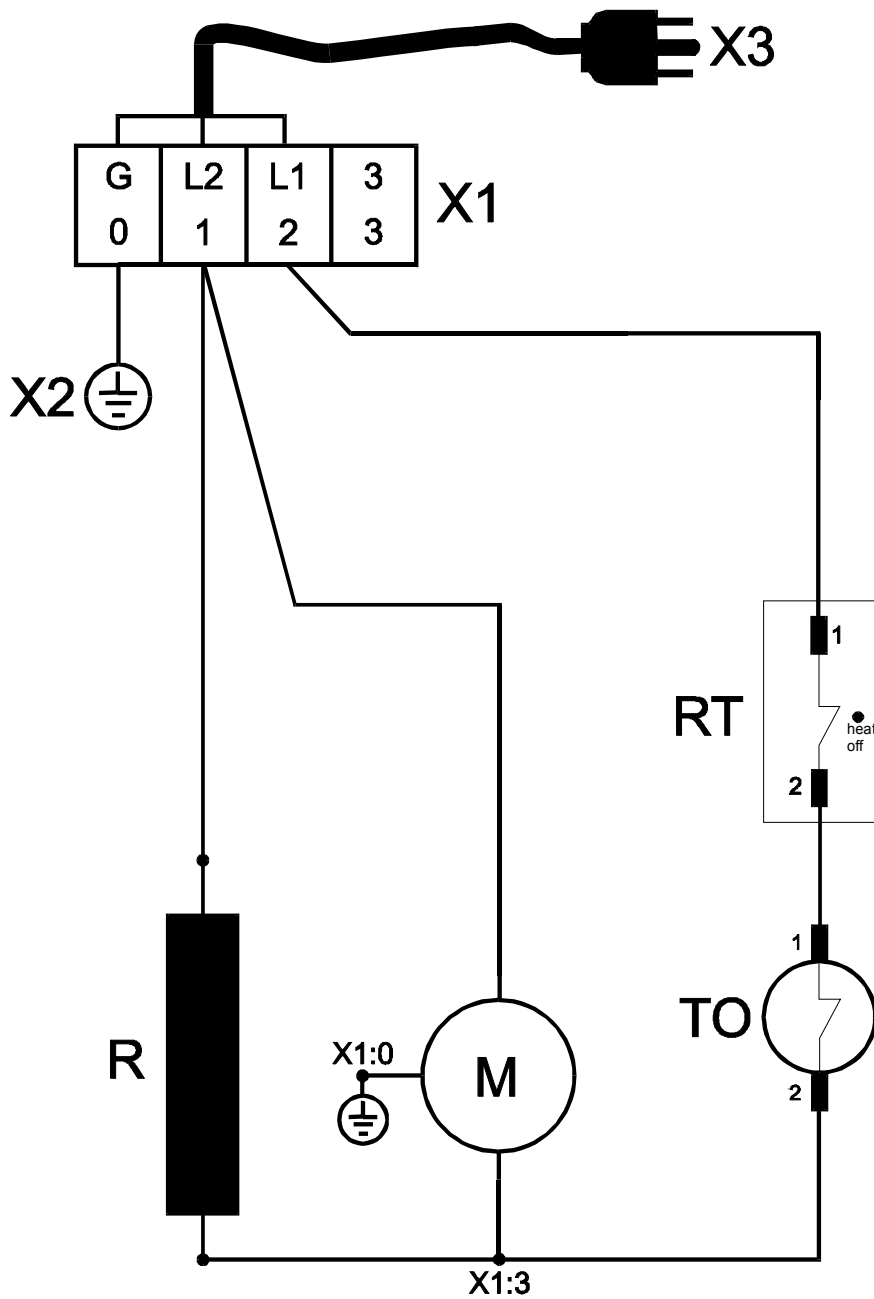


## 7. EXPLODED VIEW



Pos.		Code #
1	Handle (different than shown in exp. view)	80100
2	outer mantle	4001115
3	overheat limit switch	21200
4	inner mantle	40015
5	heating element	42256
6	front panel	40014
8	bottom plate	40012
9	fan blade	16040
10	hub	17907
11	fan motor	14040
12	rear panel	4001100
13	power cord & plug	30330
14	room thermostat + knob	20220+20576
15	strain reliever	36910
17	wire bushing	36809
18	terminal block	36701

## 8. WIRING DIAGRAM



Pos.		Code #
M	fan motor	14040
R	heating element	42256
RT	room thermostat	20220
TO	overheat limit switch	21200
X1	terminal block	36701
X2	grounding lug	—
X3	power cord & plug	30330