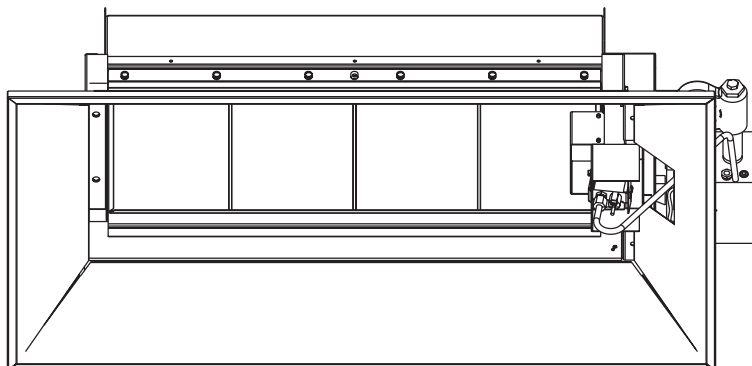




INSTALLATION AND OPERATION INSTRUCTIONS

OWNER / INSTALLER: For your safety this manual must be carefully and thoroughly read and understood before installing, operating or servicing this heater.



STARGLO MILLIVOLT SERIES INFRARED RADIANT CERAMIC HEATER

Models: SGM3, SGM6, SGM10
UNVENTED (For Indoor Installation Only)

!INSTALLER: This manual is the property of the owner. Please present this manual to the owner when you leave the job site.

▲WARNING: Improper installation, adjustment, alteration, service, or maintenance can cause property damage, injury or death. Read the installation, operation and maintenance instructions thoroughly before installing or servicing this equipment.

!IMPORTANT: SAVE THIS MANUAL FOR FUTURE REFERENCE.

SUNSTAR HEATING PRODUCTS, INC.

Post Office Box 36271 (28236) • 306 West Tremont Avenue (28203) • Charlotte, North Carolina
Phone (704) 372-3486 - www.sunstarheaters.com - email: info@sunstarheaters.com

! WHAT TO DO IF YOU SMELL GAS:

- ! DO NOT try to light any appliance. Extinguish any open flame. Open windows.**
- ! DO NOT touch any electrical switch. DO NOT use any telephone in your building.**
- ! Immediately call your gas supplier from a neighbor's telephone. Follow the gas supplier's instructions.**
- ! If you cannot reach your gas supplier, call the Fire Department.**

▲ WARNING: NOT FOR RESIDENTIAL USE.

▲ WARNING:

- ◆ Installation and service must be performed by a qualified installer, service agency or the gas supplier.**
- ◆ If the information in these instructions is not followed exactly, a fire or explosion may result causing property damage, personal injury or death.**
- ◆ DO NOT store or use gasoline or other flammable vapors and liquids in the vicinity of this or any other appliance.**

TABLE OF CONTENTS

<i>SECTION</i>	<i>DESCRIPTION</i>	<i>PAGE</i>	<i>SECTION</i>	<i>DESCRIPTION</i>	<i>PAGE</i>
1)	General Information	1	8)	Thermostat Wiring Installations	7
2)	Minimum Clearances To Combustibles	3	9)	Ventilation	7
3)	Hanging	3	10)	Lighting And Shutdown Instructions	7
4)	SGM Specifications.....	4	11)	Cleaning and Annual Maintenance.....	8
5)	Optional Parabolic Reflector Extension Assembly	4	12)	Replacing Parts	8
6)	Gas Connections And Regulation.....	5	13)	Installation Data	8
7)	Instructions For Pressure Test Gauge Connection.....	6	14)	Replacement Parts Guide	9

This heater complies with ANSI Z83.19 (current standard) and CSA 2.35. Copies of the National Fuel Gas Code (ANSI Z223.1-latest edition) are available from the CSA at 8501 East Pleasant Valley Road, Cleveland, Ohio 44131 or 55 Scarsdale Road, Don Mills, Ontario M3B 2R3. All NFPA codes are available from the National Fire Protection Association, Batterymarch Park, Quincy, Massachusetts 02269.

1) GENERAL INFORMATION

This heater is a self-contained infrared radiant ceramic heater for use in locations where flammable gases or vapors are not generally present (as defined by OSHA acceptable limits) and is intended for space heating **non-residential spaces**.

SAFETY REQUIREMENTS

- ! The heater area must be kept clear and free from combustible materials, gasoline and other flammable vapors and liquids.**
- ! This heater is designed for use with one type of gas (LPG or Natural). Make sure that the type of gas to be supplied to this heater matches that shown on the heater rating plate.**
- ! DO NOT install this heater directly onto an LPG container or propane cylinder without directions from your propane company. LPG containers (propane cylinders) must not be stored indoors or in the vicinity of any gas-burning appliance.**
- ! Children and adults should be alerted to the hazards of high surface temperatures and should stay away to avoid burns or clothing ignition.**
- ! Clothing or other flammable materials should not be hung from the heater or placed on or near the heater.**
- ! Young children should be carefully supervised when they are in the same space as the heater.**
- ! NEVER attempt to service the heater while it is plugged in, operating or hot. Any guard or other protective device removed for servicing a heater must be replaced prior to operating the heater.**

! Installation and repair should be done by a qualified service person. The heater should be inspected before use and at least annually by a qualified service person. More frequent cleaning may be required as necessary. It is imperative that the control compartment, air passageways and burner of the heater be kept clean.

! Heaters intended for use at high altitude should be de-rated for optimum performance. Check the heater rating plate to be sure that the heater has been de-rated. (The statement "This appliance equipped for high altitude elevation 2,000 to 4,500 feet" should appear on the rating plate if it has been de-rated at the factory.) If the heater has not been de-rated, contact the factory for the necessary high-altitude conversion kit(s).

INSTALLATION REQUIREMENTS

The installation must conform to local building codes or, in the absence of local codes, with the National Fuel Gas Code ANSI Z223.1/NFPA54 or the Natural Gas And Propane Installation Code CSAB149.1. Heaters shall be installed by a licensed contractor or licensed installer. Clearances to combustibles as outlined in this manual should always be observed. In areas used for storage of combustible materials where they may be stacked below the heater, NFPA54 requires that the installer must post signs that will "specify the maximum permissible stacking height to maintain the required clearances from the heater to combustibles."

Every heater shall be located with respect to building construction and other equipment so as to permit access to the heater. Each installer shall use quality installation practices when locating the heater and must give consideration to clearances to combustible materials, vehicles parked below, lights, overhead doors, storage areas with stacked materials, sprinkler heads, gas and electrical lines, and any other possible obstructions or hazards. Consideration also must be given to service accessibility.

The heater, when installed in aircraft hangars and public garages, must be installed in accordance with ANSI/NFPA 409-latest edition (Standard for Aircraft Hangars), ANSI/NFPA 88a-latest edition (Standard for Parking Structures), and ANSI/NFPA 88b-latest edition (Standard for Repair Garages) with the following clearances:

- a. At least 10 feet above the upper surfaces of wings or engine enclosures of the highest aircraft that may be housed in the hangar and at least 8 feet above the floor in shops, offices, and other sections of hangars communicating with aircraft storage or service areas.
- b. At least 8 feet above the floor in public garages. **▲WARNING:** Minimum clearances marked on the heater must be maintained from vehicles parked below the heater.

(FOR CANADA ONLY)

- a. Installation of this appliance is to be in accordance with latest edition of CAN 1-B149.1 (Installation Code for Natural Gas Burning Appliances and Equipment), and/or CAN B149.2 (Installation Code for Propane Gas Burning Appliances and Equipment).
- b. For installation in public garages or aircraft hangars, the minimum clearances from the bottom of the infrared heater to the upper surface of the highest aircraft or vehicle shall be 50 percent greater than the certified minimum clearance, but the clearance shall not be less than 8 feet.

Although these heaters may be used in many applications other than space heating (e.g., process heating), **SunStar Heating Products, Inc.** will not recognize the warranty for any use other than space heating.

This heater is for Indoor Installation only and can be used in Unvented mode. The term Unvented actually means Indirect Vented. While the products of combustion are expelled into the building, national codes require ventilation in the building to dilute these products of combustion. This ventilation may be provided by gravity or mechanical means.

This heater is not an explosion proof heater. Where the possibility of exposure to volatile and low flash point materials exists, it could result in property damage or death. This heater must not be installed in a spray booth where the heater can operate during the spraying process. Consult your local fire marshal or insurance company.

▲WARNING: Certain materials or objects, when stored under the heater will be subjected to radiant heat and could be seriously damaged. **Observe the MINIMUM CLEARANCES TO COMBUSTIBLES listed in this manual and on the heater at all times.**

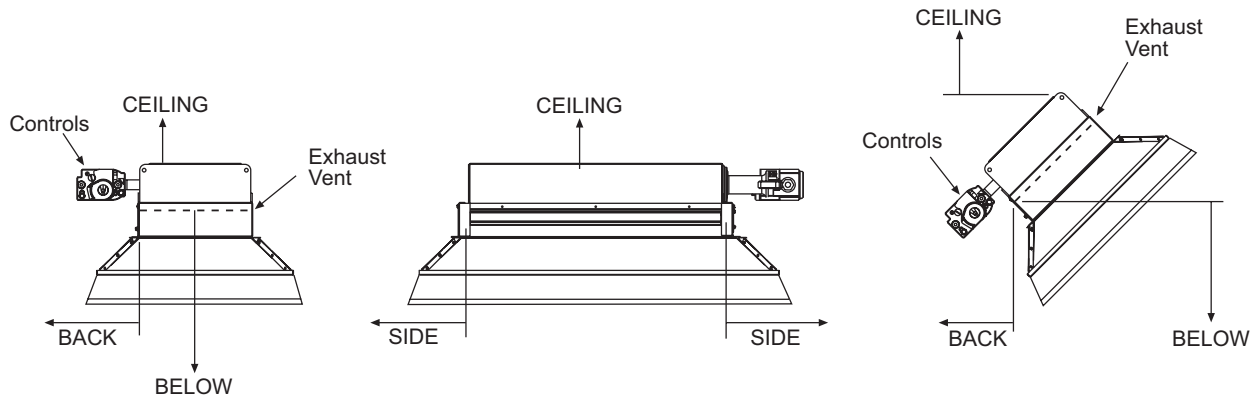
! ATTENTION: SAVE THIS MANUAL FOR FUTURE REFERENCE.

2) MINIMUM CLEARANCES TO COMBUSTIBLES

Minimum clearances shall be measured for the outer surfaces as shown below:

MOUNTED HORIZONTALLY								
MODEL	BACK		SIDES		CEILING		BELOW	
	BACK	BACK w/Reflector Extension	SIDES	SIDES w/Reflector Extension	CEILING	CEILING w/Reflector Extension	BELOW	BELOW w/Reflector Extension
SGM3	24"	36"	24"	36"	24"	36"	48"	126"
SGM6	36"	36"	30"	36"	36"	36"	72"	126"
SGM10	45"	48"	48"	60"	36"	36"	96"	168"

MOUNTED at 45° ANGLE								
MODEL	BACK		SIDES		CEILING		BELOW	
	BACK	BACK w/Reflector Extension	SIDES	SIDES w/Reflector Extension	CEILING	CEILING w/Reflector Extension	BELOW	BELOW w/Reflector Extension
SGM3	8"	12"	24"	36"	32"	36"	48"	126"
SGM6	12"	12"	30"	36"	36"	36"	72"	126"
SGM10	18"	12"	48"	60"	36"	36"	96"	168"



! IMPORTANT: The clearances specified above must be maintained to combustibles and other materials that may be damaged by temperatures 90°F above ambient temperature. It is the installer's responsibility to ensure that building materials with a low heat tolerance which may degrade at lower temperatures are protected to prevent degradation. Clearances to combustibles are posted on the reflector near the control end of the heater. In areas used for storage of combustible materials where they may be stacked below the heater, NFPA54 requires that the installer must post signs that will "specify the maximum permissible stacking height to maintain the required clearances from the heater to combustibles." SunStar recommends posting these signs adjacent to the heater thermostat or other suitable location that will provide enhanced visibility.

3) HANGING

The heater can be mounted with the reflector horizontal or angled up to 45° off the horizontal. When the heater is to be angle mounted, make sure the controls are on the lower side of the heater. Coil chains (No. 2 or larger) or rigid supports may be used to mount the heater. The long axis of the heater should be level whether the heater is mounted horizontally or angled.

4) SGM SPECIFICATIONS

MODEL	GAS TYPE	INPUT BTU/HR	MINIMUM MOUNTING HEIGHT*	ORIFICE SIZE	SHIPPING WEIGHT
SGM3-N1	Natural	26,000	12 ft.	#42 (0.0935)	30 lbs.
SGM3-L1	Propane	26,000	12 ft.	#53 (0.0595)	30 lbs.
SGM6-N1A	Natural	52,000	14 ft.	#32 (0.1160)	40 lbs.
SGM6-L1	Propane	52,000	14 ft.	#45 (0.0820)	40 lbs.
SGM10-N1A	Natural	104,000	15 ft.	#32 (0.1160)	70 lbs.
SGM10-L1	Propane	104,000	15 ft.	#45 (0.0820)	70 lbs.

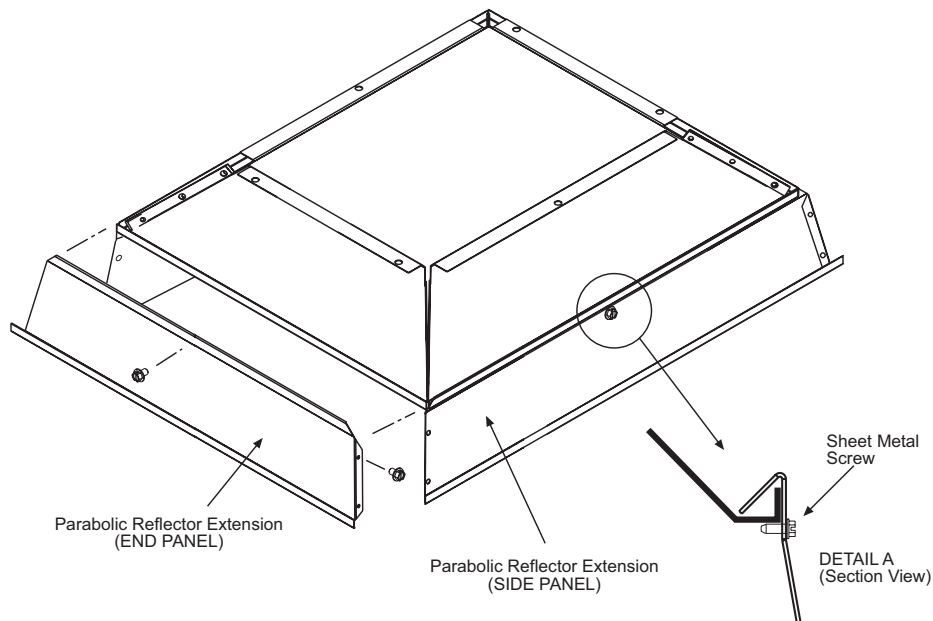
MODEL SUFFIX:	
Gas Type:	Ignition System:
N = Natural L = Propane	1 = Standing Pilot (Millivolt)

REFLECTOR TYPE:	GAS-PIPE CONNECTION:
Standard or Optional Parabolic Reflector Extension	1/2" NPT (Female)

*MOUNT HEATERS AS HIGH AS POSSIBLE. Minimums are shown as a guideline for human comfort and uniform energy distribution for complete building heating applications. Consult your SunStar representative for the particulars of your installation requirements.

5) OPTIONAL PARABOLIC REFLECTOR EXTENSION ASSEMBLY

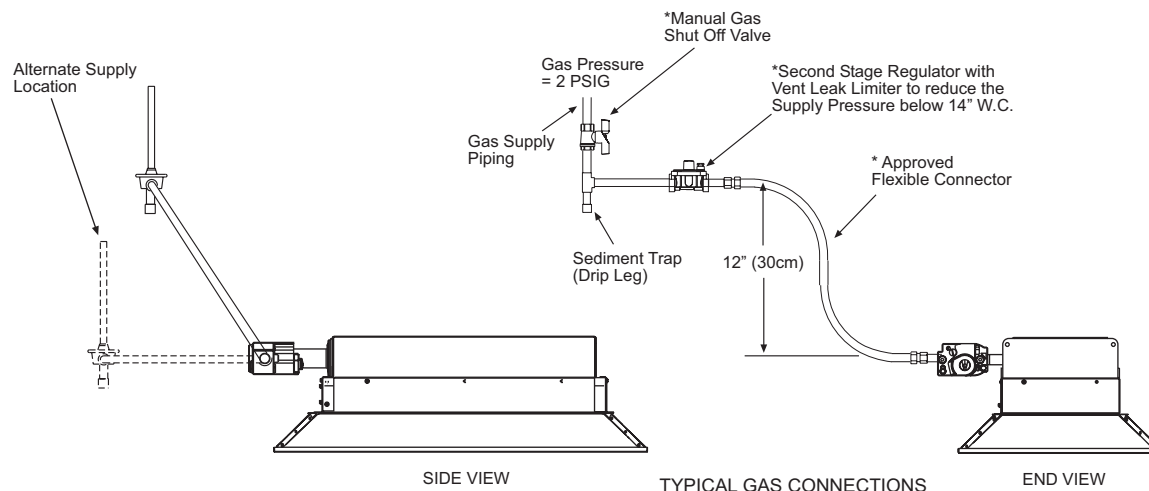
The heater is completely factory assembled and requires no field assembly. If the optional parabolic reflector extension is utilized, locate and identify the end panels and side panels as shown in the following diagram. Attach the side panels as shown. Attach the end panels so that the end flanges of the end panels overlap the side panels. Attach the side panels and end panels together with the screws provided in the kit. Attach the remaining screws as shown in Detail A. This is to ensure that the Parabolic Reflector Extension is securely attached to the reflector. The clearances to combustibles (shown on the clearance label that is secured to the reflector on the control end of the heater and in Section 5 of these instructions) must be closely observed.



6) GAS CONNECTIONS AND REGULATION

1. Connect to the supply tank or manifold in accordance with the latest edition of National Fuel Gas Code (ANSI Z223.1), and local building codes. Authorities having jurisdiction should be consulted before the installation is made. (In Canada, refer to the latest edition of CAN Standard B.149-1 and -2, Installation Codes for Gas Burning Appliances and Equipment.)
2. All gas supply lines must be located in accordance with the required clearances to combustibles below the heater as listed on the nameplate of the heater.
3. Pipe joint compounds must be resistant to the action of liquefied petroleum gases.
4. Where local codes do not prohibit, a CSA or U.L. approved flexible connector (minimum 5/8" I.D.) is recommended between the rigid piping and the heater. A union and an approved shut off valve should be installed before the control valve inlet. The shut off valve should be installed within 6 feet of the union.
5. This appliance is equipped with a snap-opening, combination gas valve. **The maximum supply pressure to the appliance is 14" W.C. or 1/2 P.S.I.** If the line pressure is more than the maximum supply pressure, then a second stage regulator which corresponds to the supply pressure must be used.
6. If a second stage regulator is used and gas seeps through it, the redundant combination gas valve is designed to lock out. Pressure build-up in the supply lines prior to the heater must be released before proper heater operation.
7. After all gas connections have been made, make sure the heater and all gas outlets are turned off before the main gas supply is turned on. Turn the gas pressure on and check for leaks. To check for leaks, apply a soapsuds solution to all connections and joints or check by one of the methods listed in Appendix D of the National Fuel Gas Code.

! DO NOT USE AN OPEN FLAME OF ANY KIND TO TEST FOR LEAKS.



* Available as Accessories

Certified connectors are recommended to be installed as shown, in one plane, and without sharp bends, kinks or twists. The gas take off from the drop line must be parallel to the burner gas inlet connection.

If the maximum supply pressure is less than 1/2 psig, a second stage regulator is not required.

7) INSTRUCTIONS FOR PRESSURE TEST GAUGE CONNECTION

Supply Pressure

1. The installer will provide a 1/8" N.P.T. plugged tapping, accessible for test gauge connection immediately upstream of the gas supply connection to the heater.

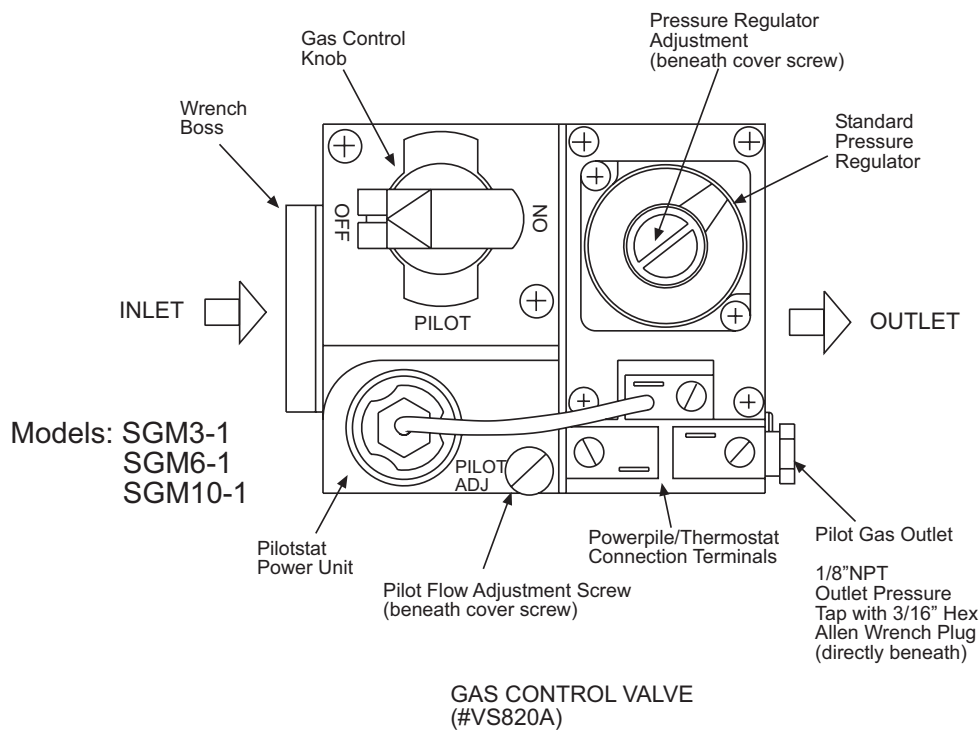
Manifold Pressure

1. Turn the gas valve to the "OFF" position. Remove the 1/8" plug from the manifold downstream from the combination gas valve at one of the outlet pressure taps and connect a 1/8" nipple to the tapped hole. Connect the gauge to the nipple. Turn on the gas supply.
2. With the main burner operating, check the burner manifold pressure using a water manometer. Gauges that measure pressure in pounds per square inch are not accurate enough to measure or set the manifold pressure. All measurements **MUST BE** made when this heater and all other gas burning equipment that is connected to the gas supply system are operating at maximum capacity.
3. The combination gas valve is factory set and should not require adjustment. If full rate adjustment is required, remove the cover screw. Using a small screwdriver, turn the adjustment screw clockwise \curvearrowright to increase or counterclockwise \curvearrowleft to decrease the gas pressure to the burner. Replace the cover screw.

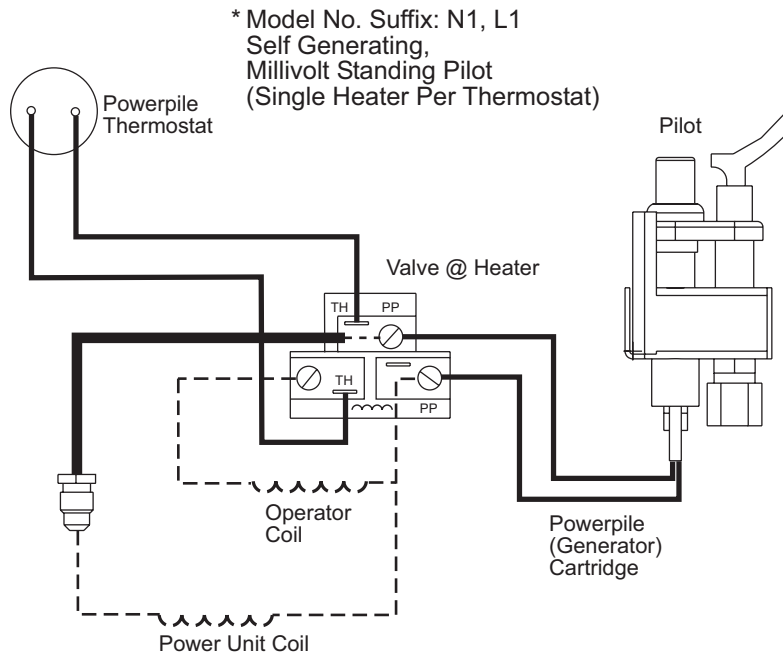
The gas pressures are shown in the following table:

GAS PRESSURE TABLE				
Model	Gas Type	Manifold Pressure	Supply Pressure	
			Minimum ^w	Maximum
SGM3	Natural Gas	3.5" W.C.	4.5" W.C.	14.0" W.C.
	Propane Gas	10.0" W.C.	11.0" W.C.	14.0" W.C.
SGM6 and SGM10	Natural Gas	6.0" W.C.	7.0" W.C.	14.0" W.C.
	Propane Gas	10.0" W.C.	11.0" W.C.	14.0" W.C.

^w Minimum permissible gas supply pressure for purpose of input adjustment.



8) THERMOSTAT WIRING INSTALLATIONS



* CAUTION: A millivolt type thermostat is required for use on self-generating pilot model heaters N1 & L1.

9) VENTILATION

This heater requires ventilation in the building to dilute the product of combustion and provide fresh air for efficient combustion. Power ventilation is recommended, and the minimum vent flow required is as follows:

SGM3 = 109 cfm

SGM6 = 218 cfm

SGM10 = 436 cfm

If gravity ventilation is used, the required square feet of inlet and outlet vent area (depending on height and temperature difference) is as follows:

SGM3 = 0.4 s/f

SGM6 = 0.8 s/f

SGM10 = 1.6 s/f

The General Ventilation Rules outlined in the ASHRAE GUIDE AND DATA BOOK should be observed when locating vents. Exhaust vents must be located at the highest point above and in the vicinity of the heaters and the inlet nets must be located below the level of the heaters.

10) LIGHTING AND SHUTDOWN INSTRUCTIONS

STANDING PILOT IGNITION SYSTEM (Ignition Suffix "1")

- 1) Turn the dial to "PILOT." Press the dial in and light the pilot. Hold for 60 seconds and release.
- 2) Turn the dial counterclockwise \curvearrowright to "ON." Use this position for thermostat control. Set the thermostat for desired room temperature.
- 3) If the heater does not light, shut off the gas completely for 5 minutes before attempting to relight.
- 4) To shut down the heater, turn the dial clockwise \curvearrowleft to "PILOT." Depress the dial slightly and turn to "OFF."

NOTE: The lighting and shutdown instructions are also shown on the permanent nameplate attached to the heater.

11) CLEANING AND ANNUAL MAINTENANCE

This heater must be cleaned and serviced at least once before the start of each heating season or at any time the infrared emitter shows signs of collecting any foreign material on its surface or in the ports, or when anything obstructs the venturi or the screen. Maximum heating efficiency and clean combustion will be maintained by keeping the emitter and burner clean. To clean the heater, follow these instructions:

- 1) Turn off all gas supply to the heater.
- 2) Clean the reflector.
- 3) Remove the main burner orifice and the pilot orifice (if so equipped) and clean them thoroughly.
- 4) Check the venturi opening to be sure it is clean. If there is any evidence of dirt accumulation in the venturi, remove it before cleaning to avoid getting the dirt inside the heater.
- 5) Inspect the emitter surface to be sure it is clean. Ignite the heater and observe the color of the emitter face. If there are pronounced dark areas on the face, it probably indicated an accumulation of dirt on the inside surface and the following steps must be taken to clean that surface:

**DO NOT DIRECT AN AIR HOSE AT THE CERAMIC EMITTER SURFACE
AS IT MIGHT DAMAGE THE CERAMIC OR DISLODGE THE HIGH TEMPERATURE GASKET MATERIAL.**

- a) Lower the heater to the floor or other suitable working surface.
- b) Remove the reflector from the reflector mounting panels or collar.
- c) Disconnect the electrode cable and flame sensor cable, or pilot burner tubing.
- d) Remove the reflector mounting panels from the heater body
- e) Remove the emitter face from the heater body. This surface unit is attached by ¼" Hex Head machine screws (10 on the **SGM3**, 16 on the **SGM6**, and 26 on the **SGM10**) ♦ Use caution in this operation as the emitter surface is fragile.
- f) Carefully brush any foreign material from the back side of the emitter face and the inside of the heater.
- g) The insulation gasket which was between the heater body and the emitter face must be replaced when the heater is reassembled. Order two (2) of each of the part numbers indicated for your particular model: ■**SGM3**: #40446080 and #40446130 ■**SGM6**: #40446080 and #40446090 ■**SGM10**: #40446080 and #40446110.

12) REPLACING PARTS

Ensure that at all times when parts are being replaced, both gas and electrical supplies are disconnected. Various parts are available from the factory for replacement by a licensed person. Refer to the Replacement Parts Guide in Section 14 for all replacement parts.

13) INSTALLATION DATA

Date of Installation: _____ Number of Heaters in System: _____

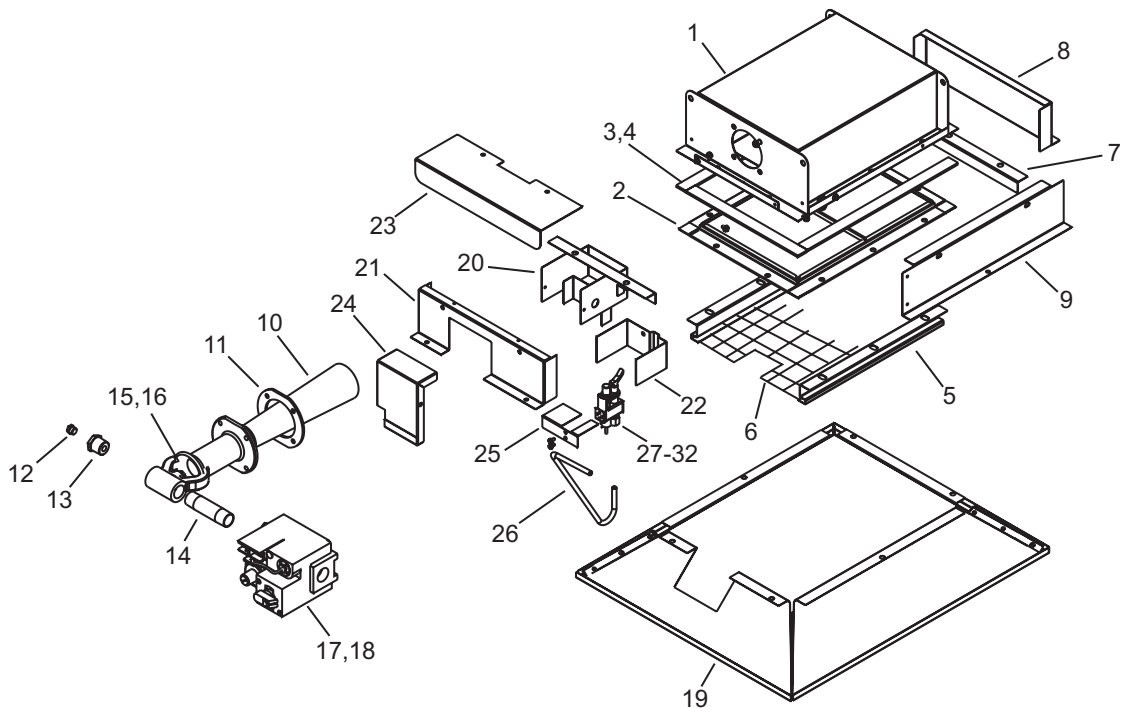
Heater Serial Number: _____

Heater Model: **SGM** _____ — _____
N = Natural Gas
L = Propane Gas

14) REPLACEMENT PARTS GUIDE

MODELS: SGM3-N1,L1)

Item No.	Part No.	Description
1	42129000	Plenum Box Assembly
2	42192000	Emitter Kit (includes items 3 & 4)
3	40446080	End Gasket (Qty. 2)
4	40446130	Side Gasket (Qty. 2)
5	42133000	Screen Retainer (Qty. 2)
6	40670050	Reverb Screen (Pilot)
7	40710020	End Reverb Baffle
8	40621000	End Flue Collar
9	42132000	Side Flue Collar
10	42136000	Venturi Assembly
11	40666000	Venturi Gasket
12	03339020	Plug, 1/8
13	03338130	Bushing, 1/2 x 1/8
14	03333100	Nipple, 1/2 x 3"
15	03625420	Main Burner Orifice (#42) Nat. Gas
16	30236530	Main Burner Orifice (#53) LP Gas
17	30299010	Gas Valve @ 3-1/2" WC - VS820A-1039 Nat. Gas
18	30299030	Gas Valve @ 10" WC - VS820A-1120 LP Gas
19	42124000	Reflector Assembly (pilot)
20	40715000	Pilot Housing Assembly
21	40719000	End Flue Collar (pilot end)
22	40707000	Radiation Shield (housing)
23	40649000	Pilot Flue Baffle
24	40750000	Pilot Shield Assembly
25	40706000	Radiation Shield (pilot)
26	42184000	Pilot Tubing
27	03462070	Pilot Generator System - Nat. Gas
28	03462080	Pilot Generator System - LP Gas
29	03463000	Pilot Burner, Less Orifice (included in items #27 & #28)
30	03348020	Pilot Orifice, TJ020 - Nat. Gas (included in item #27)
31	03348030	Pilot Orifice, TJ011 - LP Gas (included in item #28)
32	03378060	Generator Cartridge, PG9 (included in items #27 & #28)
33	43219030	Installation Manual (not shown)



IMPORTANT:

- Please order by Part Number, not by Item Number.
- Refer to complete Model Number when ordering.
- All replacement parts available when ordering.

MODEL NUMBER SUFFIXES:

N = Natural Gas

L = Propane Gas

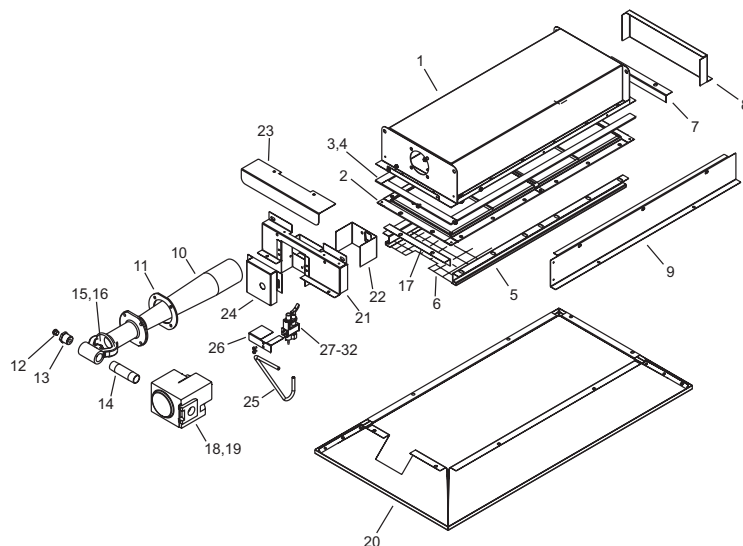
1 = Self-Generating Standing Pilot

ALL ILLUSTRATIONS ARE INTENDED TO GIVE THE GENERAL IMPRESSION OF UNITS ONLY. WE RESERVE THE RIGHT TO ALTER ANY SPECIFICATION WITHOUT NOTICE.

MODELS: SGM6-(N1A,L1)

Item No.	Part No.	Description
----------	----------	-------------

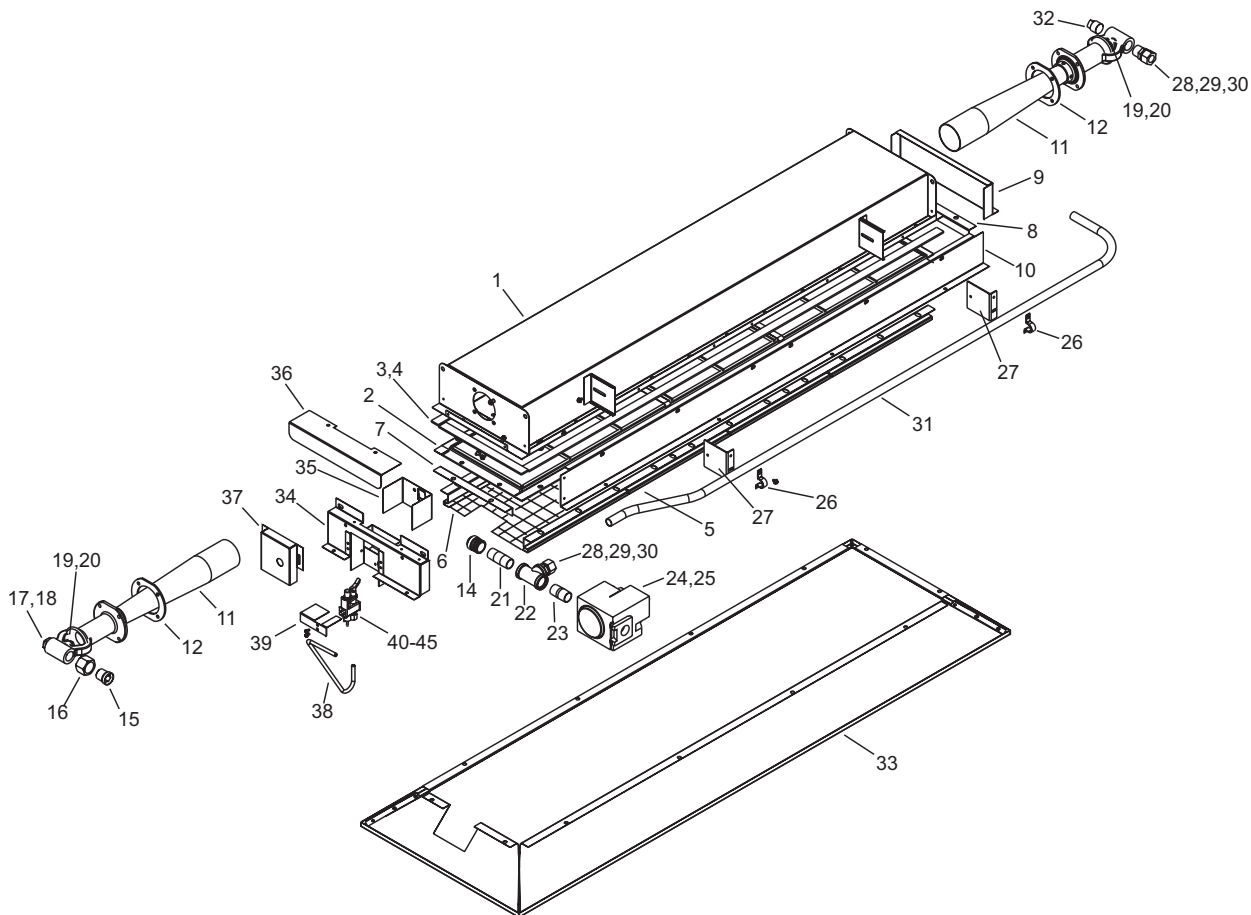
1	40714000	Plenum Box Assembly
2	41218000	Emitter Kit (includes items 3 & 4)
3	40446080	End Gasket (Qty. 2)
4	40446090	Side Gasket (Qty. 2)
5	40608000	Screen Retainer (Qty. 2)
6	40670030	Reverb Screen (pilot)
7	40710020	End Reverb Baffle
8	40621000	End Flue Collar
9	40616000	Side Flue Collar
10	40726000	Venturi Assembly
11	40666000	Venturi Gasket
12	03339020	Plug, 1/8
13	03338130	Bushing, 1/2 x 1/8
14	03333100	Nipple, 1/2 x 3"
15	03624320	Main Burner Orifice (#32) Nat. Gas
16	03625450	Main Burner Orifice (#45) LP Gas
17	40710010	Reverb Baffle (notched)
18	30299020	Gas Valve @ 6" WC - VS820A-1070 Nat. Gas
19	30299030	Gas Valve @ 10" WC - VS820A-1120 LP Gas
20	40720000	Reflector Assembly (pilot)
21	42431000	Pilot Housing Assembly
22	42425000	Radiation Shield (housing)
23	42421000	Pilot Flue Baffle
24	42424000	Pilot Shield
25	42434000	Pilot Tubing
26	40706000	Radiation Shield (pilot)
27	03462130	Pilot Generator System - Nat. Gas
28	03462140	Pilot Generator System - LP Gas
29	03463000	Pilot Burner, Less Orifice (included in items #27 & #28)
30	03460030	Pilot Orifice, TL020 - Nat. Gas (included in item #27)
31	03438020	Pilot Orifice, TV011 - LP Gas (included in item #28)
32	03378060	Generator Cartridge, PG9 (included in items #27 & #28)
33	43219030	Installation Manual (not shown)



MODELS:

SGM10-(N1A, L1)

Item No.	Part No.	Description
1	40742000	Plenum Box Assembly
2	41219000	Emitter Kit (includes items 3 & 4)
3	40446080	End Gasket (Qty. 2)
4	40446110	Side Gasket (Qty. 2)
5	40747000	Screen Retainer (Qty. 2)
6	40670040	Reverb Screen (pilot)
7	40710010	Reverb Baffle Assembly (ignition end)
8	40710020	Reverb Baffle (back end)
9	40621000	End Flue Collar
10	40744000	Side Flue Collar
11	40726000	Venturi Assembly (Qty. 2)
12	40666000	Venturi Gasket (Qty. 2)
13	43219030	Installation Manual (not shown)
14	03068010	Union Half - Female
15	03068020	Union Half - Male
16	03068030	Union Nut - 1/2
17	03339020	Plug, 1/8
18	03338130	Bushing, 1/2 x 1/8
19	03624320	Main Burner Orifice (#32) Nat. Gas (Qty. 2)
20	03625450	Main Burner Orifice (#45) LP Gas (Qty. 2)
21	03333060	Nipple, 1/2 x 2"
22	03336080	Tee, 1/2
23	03333020	Nipple, 1/2 x Close
24	30299020	Gas Valve @ 6" WC - VS820A-1070 Nat. Gas
25	30299030	Gas Valve @ 10" WC - VS820A-1120 LP Gas
26	42420000	Manifold Clamp (Qty. 2)
27	04703000	Manifold Support Bracket (Qty. 2)
28	03600040	Compression Sleeve - 5/8 (Qty. 2)
29	03601040	Compression Nut - 5/8 (Qty. 2)
30	03602100	Compression Union - 5/8 Tube x 1/2 NPT (Qty. 2)
31	42432000	Manifold Tubing
32	03339080	Plug, 1/2
33	41063000	Reflector (pilot)
34	42431000	Pilot Housing Assembly
35	42425000	Radiation Shield (housing)
36	42421000	Pilot Flue Baffle
37	42424000	Pilot Shield
38	42433000	Pilot Tubing
39	40706000	Radiation Shield (pilot)
40	03462130	Pilot Generator System - Nat. Gas
41	03462140	Pilot Generator System - LP Gas
42	03463000	Pilot Burner, Less Orifice (included in items #40 & #41)
43	03460030	Pilot Orifice, TL020 - Nat. Gas (included in item #40)
44	03438020	Pilot Orifice, TV011 - LP Gas (included in item #41)
45	03378060	Generator Cartridge, PG9 (included in items #40 & #41)



LIMITED WARRANTY: SunStar Heating Products, Inc., the manufacturer, warrants to the original owner of any SunStar infrared gas heater that said heater will be free from defects in material or workmanship under normal use and service. The heater(s) shall be installed, used and maintained strictly in accordance with the manufacturer's instructions. The manufacturer's sole obligation under this warranty shall be limited to furnishing replacement parts, F.O.B. Charlotte, NC, for 12 months from the date of installation, or 18 months from the date of shipment by the manufacturer, whichever period shall expire first. Labor charges for removal of defective parts and the installation of the replacement parts are not included. This warranty applies only within the USA and Canada.

WARNING: Manufacturer's warranty shall not apply: (a) to damage to the heater when used in an atmosphere containing halogenated hydrocarbons or other corrosive chemicals. Some compounds in the air can be ingested into the equipment and can cause an accelerated rate of corrosion of some of the parts of the heating components. The use of such chemical compounds in or near the operating environment of the heater should be avoided where a longer heater life is desirable; (b) to any heater or components which have been repaired or replaced with other than factory parts, modified in any way, misused or damaged, or which have been used contrary to the manufacturer's written instructions. Replacement parts are available through SunStar distributors.

LIMITATION OF WARRANTY: THERE ARE NO WARRANTIES, EXPRESS OR IMPLIED, WHICH EXTEND BEYOND THE DESCRIPTION ON THE FACE HEREOF. WITHOUT LIMITING THE FOREGOING, THE MANUFACTURER EXPRESSLY EXCLUDES ANY AND ALL IMPLIED WARRANTIES, INCLUDING BUT NOT LIMITED TO ANY IMPLIED WARRANTY OF FITNESS FOR A PARTICULAR PURPOSE AND ANY IMPLIED WARRANTY OF MERCHANTABILITY FOR ITS PRODUCTS.

If any provision of this warranty is found to be void, unenforceable or unconscionable, then the same is hereby severed and the remainder of this warranty is hereby saved and shall remain in force.

EXCLUSIVE REMEDY: The sole and exclusive remedy under this warranty is the replacement of the defective parts or heaters as hereinabove specified. THE MANUFACTURER DOES HEREBY EXPRESSLY EXCLUDE ANY AND ALL LIABILITY FOR INCIDENTAL AND CONSEQUENTIAL DAMAGES UNDER THIS OR ANY OTHER WARRANTY. Without intending to limit the aforesaid exclusion, THE MANUFACTURER DOES HEREBY EXCLUDE ANY LIABILITY UNDER THIS OR ANY OTHER WARRANTY FOR INJURIES AND COMMERCIAL LOSSES TO PROPERTY THAT RESULT FROM THE OPERATION, PROPER OR IMPROPER, OF ITS PRODUCTS.

The manufacturer will not be responsible for labor charges incurred for removal or installation of emitters. Any transportation charges involved in the return or repair are excluded.

ADDITIONAL TERMS: Manufacturer assumes no liability for delay in performing its obligations under the aforesaid warranty. Manufacturer assumes no liability for failure in performing its obligations there under if failure results directly or indirectly from any cause beyond its control, including but not limited to acts of God, acts of Government, floods, fires, shortages of materials, strikes and other labor difficulties or delays or failures of transportation facilities.

THIS IS A NON-RESIDENTIAL PRODUCT. Installation and service shall be by a Licensed Contractor and in accordance with National and Local Codes.

When presenting warranty claims, proof of date of purchase must be submitted.

No Representative is authorized to assume for the manufacturer any liability except as set forth above.

In case of claim under this warranty, contact:

SunStar Heating Products, Inc.
Post Office Box 36271
306 West Tremont Avenue (28203-4946)
Charlotte, NC 28236-6271
(704) 372-3486