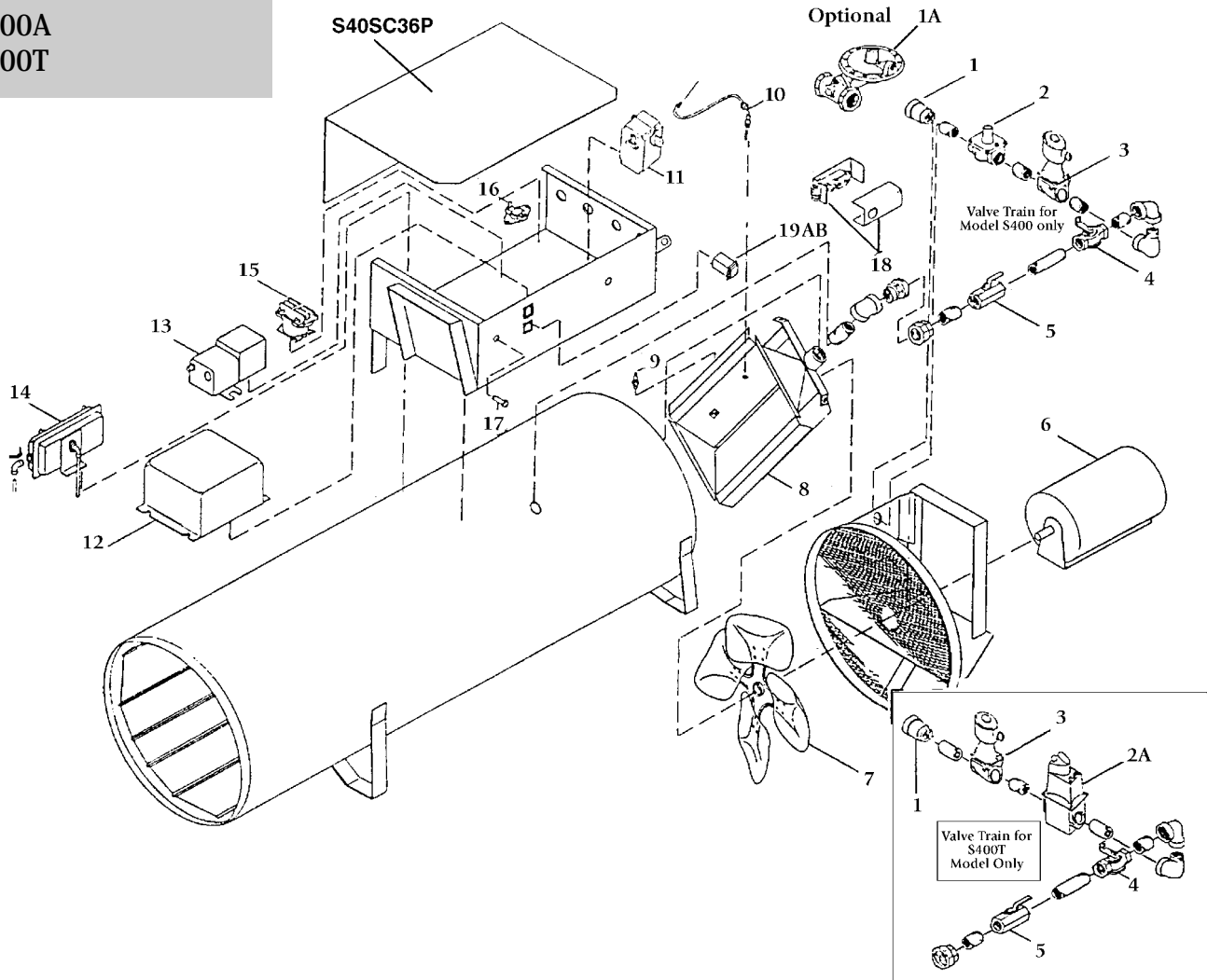


Propane and Natural Gas Sureflame Forced Air Heater

Model Number

S400A
S400T



Key No.	Part No.	Description
Valve Train		
1A	SV40SV06P	Hi-Press. Regulator (Opt.)
1	40SV01P	Strainer
2	2524P	Low Pressure Regulator (S400)
2A	40SV05BP	2-Stage Regulator (S400T)
3	3455P	Solenoid Shut-Off Valve
4	S400-73P	Gas Selector Valve
5	2538P	Manual Shut-Off Valve
	40SV05AKTP	Changeover Kit for S400T
Blower		
6	2430P	1/4 HP Electric Motor
7	2420P	Fan Blade
Burner Section		
8	SB40SB09P	Burner
9	2142P	Spark Plug
10	2444P	Thermocouple

Key No.	Part No.	Description
Control Box		
11	4510P	24V Transformer (S400T)
12	2501P	Ignition Transformer
13	2437P	Flame Safeguard Control
14	HC1010P	Air Switch
15	2436P	Motor Relay
16	2446P	Hi Limit Thermoswitch
17	2505P	Indicator Light (WHITE)
18	2453P	Thermostat (S400T)
19A	3337GP	Start Switch (GREEN)
19B	3337RP	Stop Switch (RED)

PARTS AVAILABLE - NOT SHOWN

HC1020P	Power Cord
7510P	3/4" x 10' Gas Hose with swivel(optional)
SWK-1P	Wheel Kit (optional)

Sure Flame 400,000 BTU

Portable Heater Parts
342 N. Co. Rd. 400 E. ♦ Valparaiso, IN 46383

800-362-6951 • Fax 800-255-7985
www.portableheaterparts.com